

DH-IPC-HFW2439S-SA-LED-S2

4MP Lite Full-color Fixed-focal Bullet Network Camera



- 4MP, 1/3" CMOS image sensor, low illuminance, high image definition
- Outputs 4MP (2560 × 1440) @ 25/30 fps, Max. supports 4MP (2688 × 1520) @ 20 fps
- H.265 codec, high compression rate, ultra-low bit rate
- Built-in warm lights, max. illumination distance: 30 m
- ROI, SMART H.264+/H.265+, flexible coding, applicable to various bandwidth and storage environments
- Rotation mode, WDR, 3D DNR, HLC, BLC, digital watermarking, applicable to various monitoring scenes
- Intelligent detection: Intrusion, tripwire
- Abnormality detection: Motion detection, video tampering, scene changing, no SD card, SD card full, SD card error, network disconnection, IP conflict, illegal access, voltage detection
- Built-in Mic
- Supports max. 256 GB Micro SD card
- 12V DC/PoE power supply
- IP67 protection



Series Overview

With upgraded H.265 encoding technology, Dahua Lite series network camera has efficient video encoding capacity, which saves bandwidth and storage space. This camera adopts the latest full-color technology and displays better color image in the condition of low illumination. It supports SD card storage, dust-proof function, waterproof function and vandal-proof function, complying to the standards of IP67.

Functions

Smart H.265+ & Smart H.264+

With advanced scene-adaptive rate control algorithm, Dahua smart encoding technology realizes the higher encoding efficiency than H.265 and H.264, provides high-quality video, and reduces the cost of storage and transmission.

Full-color

With high-performance sensor and large aperture lens, Dahua Full-color technology can display clear colorful image in the environment of ultra-low illuminance. With this photosensitivity technology, the camera can capture more available light, and display more colorful image details.

WDR

With advanced Wide Dynamic Range (WDR) technology, Dahua network camera provides clear details in the environment of strong brightness contrast. The bright and dark area can get clear video even in high brightness environment or with backlight shadow.

IVS

With advanced video algorithm, Dahua IVS technology supports intelligent functions, such as tripwire and intrusion.

Protection (IP67, wide voltage)

IP67: The camera passes a series of strict test on dust and soak. It has dust-proof function, and the enclosure can work normal after soaking in 1 m deep water for 30 minutes.

Wide voltage: The camera allows $\pm 30\%$ input voltage tolerance (wide voltage range), and it is widely applied to outdoor environment with instable voltage.

Technical Specification

Camera

Image Sensor	1/3"4Megapixel progressive CMOS
Max. Resolution	2688 (H) × 1520 (V)
ROM	128 MB
RAM	128 MB
Scanning System	Progressive
Electronic Shutter Speed	Auto/Manual 1/3 s–1/100,000 s
Minimum Illumination	0.004 Lux@F1.0
S/N Ratio	> 56 dB
Illumination Distance	30 m (98.4 ft)
Illuminator On/Off Control	Auto/Manual
Illuminator Number	1 (Warm light)
Pan/Tilt/Rotation Range	Pan: 0°–360° Tilt: 0°–90° Rotation: 0°–360°

Lens

Lens Type	Fixed-focal				
Mount Type	φ14				
Focal Length	2.8 mm 3.6 mm				
Max. Aperture	2.8 mm: F1.0 3.6 mm: F1.0				
Field of View	2.8 mm: 96° (Horizontal) × 51° (Vertical) × 115° (Diagonal) 3.6 mm: 81° (Horizontal) × 44° (Vertical) × 97° (Diagonal)				
Iris Type	Fixed				
Close Focus Distance	2.8 mm: 1.3 m (4.3 ft) 3.6 mm: 1.8 m (5.9 ft)				
DORI Distance	Lens	Detect	Observe	Recognize	Identify
	2.8mm	56.0 m (183.7 ft)	22.4 m (73.5 ft)	11.2 m (36.7 ft)	5.6 m (17.1 ft)
	3.6mm	72.0 m (236.2 ft)	28.8 m (94.5 ft)	14.4 m (47.2 ft)	7.2 m (23.6 ft)

Smart event

General IVS Analytics	Tripwire; intrusion
-----------------------	---------------------

Video

Video Compression	H.265; H.264; H.264B; MJPEG (only supported by the sub stream)
Smart Codec	Smart H.265+ / Smart H.264+
Video Frame Rate	Main stream: 2688 × 1520 (1 fps–25/30 fps) 2560 × 1440 (1 fps–25/30 fps) Sub stream: 704 × 576 (1 fps–20/25 fps) 704 × 480 (1 fps–20/30 fps)
Stream Capability	2 streams

Resolution	2688 × 1520 (2688 × 1520); 2560 × 1440 (2560 × 1440); 2304 × 1296 (2304 × 1296); 1080p (1920 × 1080); 1.3M (1280 × 960); 720p (1280 × 720); D1 (704 × 576/704 × 480); VGA (640 × 480); CIF (352 × 288/352 × 240)
Bit Rate Control	CBR/VBR
Video Bit Rate	H.264: 32 kbps–6144 kbps H.265: 12 kbps–6144 kbps
Day/Night	Color/B/W
BLC	Yes
HLC	Yes
WDR	120 dB
White Balance	Auto/natural/street lamp/outdoor/manual/regional custom
Gain Control	Auto/Manual
Noise Reduction	3D DNR
Motion Detection	OFF/ON (4 areas, rectangular)
Region of Interest(Rol)	Yes (4 areas)
Smart Illumination	Yes
Image Rotation	0°/90°/180°/270° (Support 90°/270° with 2688×1520 resolution and lower.)
Mirror	Yes
Privacy Masking	4 areas

Audio

Built-in MIC	Yes
Audio Compression	G.711A; G.711Mu; G.726; AAC

Alarm

Alarm Event	No SD card; SD card full; SD card error; network disconnection; IP conflict; motion detection; video tampering; tripwire; intrusion; illegal access; voltage detection; audio detection; safety exception
-------------	---

Network

Network	RJ-45 (10/100 Base-T)
SDK and API	Yes
Protocol	HTTP; TCP; ARP; RTSP; RTP; UDP; RTCP; SMTP; FTP; DHCP; DNS; DDNS; PPPoE; IPv4/v6; QoS; UPnP; NTP; RTMP; Multicast; HTTPS; SFTP; 802.1x; ICMP; IGMP; Bonjour
Interoperability	ONVIF (Profile S/Profile G/Profile T); CGI; P2P; Milestone; Genetec
User/Host	20 (Total bandwidth: 72 M.)
Storage	Dahua Cloud; FTP; Micro SD card (support max. 256 G); NAS; SFTP
Browser	IE Chrome Firefox
Management Software	Smart PSS; DSS; DMSS
Mobile Phone	IOS; Android

Certification

Certifications	CE-LVD: EN62368-1 CE-EMC: Electromagnetic Compatibility Directive 2014/30/EU FCC: 47 CFR FCC Part 15, Subpart B
----------------	---

Power

Power Supply	12V DC/PoE (802.3af)
Power Consumption	< 6.2W

Environment

Operating Conditions	-40°C to +60°C (-40°F to +140°F)/less than ≤ 95% RH
Storage Temperature	-40°C to +60°C (-40°F to +140°F)
Protection Grade	IP67

Structure

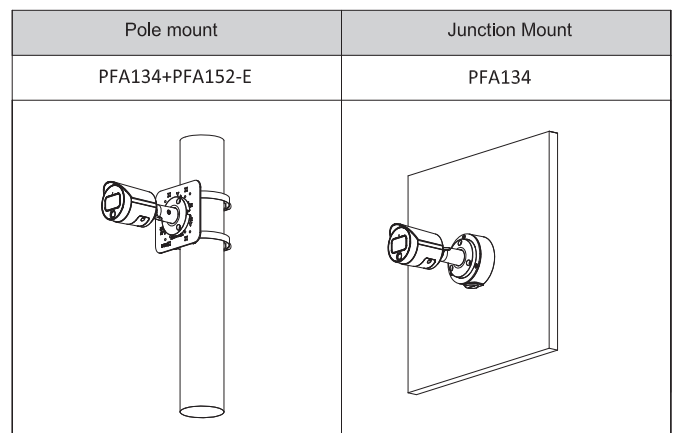
Casing	metal
Dimensions	100.9 mm × Φ109.9 mm (4.0" × Φ4.3")
Net Weight	0.365 kg (0.8 lb)
Gross Weight	0.527 kg (1.2 lb)

Ordering Information

Type	Part Number	Description
4MP Camera	DH-IPC-HFW2439SP-SA-LED-S2	4MP Lite Full-color Fixed-focal Bullet Network Camera,PAL
	DH-IPC-HFW2439SN-SA-LED-S2	4MP Lite Full-color Fixed-focal Bullet Network Camera,NTSC
Accessories (optional)	PFA134	Junction Box
	PFA152-E	Pole Mount
	PFM321D	DC12V1A Power Adapter
	LR1002-1ET/1EC	Single-port Long Reach Ethernet over Coax Extender
	PFM900-E	Integrated Mount Tester
	PFM114	TLC SD Card

Accessories

Optional:



Dimensions (mm[inch])

